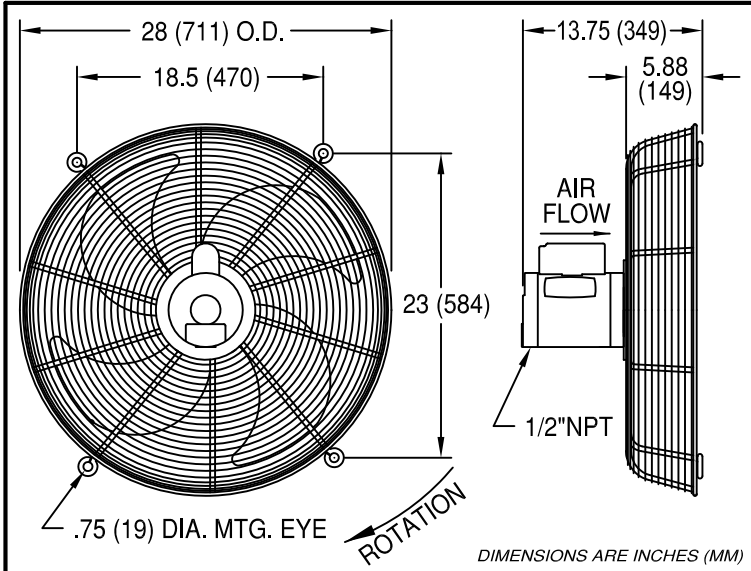


# TRANSFORMER COOLING FAN MODEL F24

## FAN DIMENSIONS



## FAN RATINGS

KRENZ & CO. PART NO.	<b>F24-A8180</b>
HP	1/2
RPM	1750
VOLTS	208-230
PHASE	1
HERTZ	60
CFM (1)	7800
dB(A) (2)	74.4

(1) Actual Airflow in CFM as measured with Horizontal Airflow on discharge side of one 15" deep transformer radiator.

(2) Nominal Sound Pressure values expressed are determined from Sound Power measurements performed in accordance with AMCA 300-08 and are based on a 2 meter measurement distance.

## FAN FEATURES

### FAN HOUSING

- BASKET TYPE WITH DISCHARGE GUARD.
- MEETS OSHA REQUIREMENTS.
- HOT DIP GALVANIZED STEEL.

### FAN MOTOR

- TOTALLY ENCLOSED NON-VENTILATED, IP54 ENCLOSURE.
- NEMA 48 FRAME WITH .625" DIA. 416 STAINLESS STEEL SHAFT.
- PERMANENTLY LUBRICATED, DOUBLE SEALED BALL BEARINGS.
- CLASS F INSULATION, CLASS B TEMPERATURE RISE.
- 55°C (131°F) MAXIMUM AMBIENT TEMPERATURE.
- INTEGRAL CONDUIT BOX WITH 1/2" NPT CONNECTION HOLE.
- AUTOMATIC-RESET OVERLOAD PROTECTION.
- FOUR-STEP PROPRIETARY COATING SYSTEM.
- ANSI 70 GRAY FINAL COAT IS STANDARD.
- FOUR 1/8" NPT CONDENSATION DRAIN HOLES.

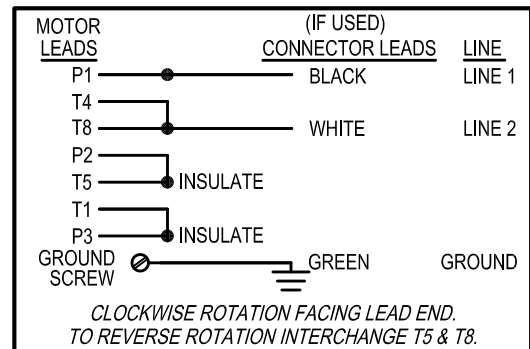
### FAN BLADE

- ONE PIECE, 4-WING, CAST ALUMINUM.
- CLOCKWISE FROM INLET SIDE.

## FAN ELECTRICAL DATA

VOLTS	208	230	240
FAN AMPS	3.17	2.95	2.89
FULL LOAD AMPS	3.2	3.0	3.0
STARTING AMPS	10.8	11.9	12.5
LOCKED ROTOR AMPS	10.8	11.9	12.5
FAN WATTS	656	676	688
POWER FACTOR %	99.5	99.5	99.2

## FAN MOTOR CONNECTION DIAGRAM



## IMPORTANT

TO AVOID MOTOR DAMAGE, CONDENSATION DRAIN PLUGS MUST BE INSTALLED PER INSTRUCTIONS SUPPLIED WITH EACH FAN.

## NOTICE

FAN PERFORMANCE DATA SHOWN IS TYPICAL DATA, NOT GUARANTEED DATA. DUE TO NORMAL MANUFACTURING TOLERANCES, SPECIFIC FAN PERFORMANCE MAY VARY.



**KRENZ & CO., INC.**

P.O. BOX 187, GERMANTOWN, WI 53022  
PH: (262)-255-2310, FX: (262)-255-2904  
E-MAIL: krenz@krenzvent.com

DATE  
2/25/16  
BY  
MS

KRENZ & CO.  
PART NO.

**F24-A8180**